

INPUT CLIP SENSE

LINE OUTPUT J3 J522110

PROCESS BYPASS S3A SM440027

OUTPUT STAGE

INSERT J6 J522110

MIC GAIN VR100 5K402111

MIC INPUT J522110

LINE INPUT J522110

VGA 2 CV

VGA 1 INPUT

COMPRESSOR CV SUM

DE-ESSER CV SUM

HF DETAIL IN

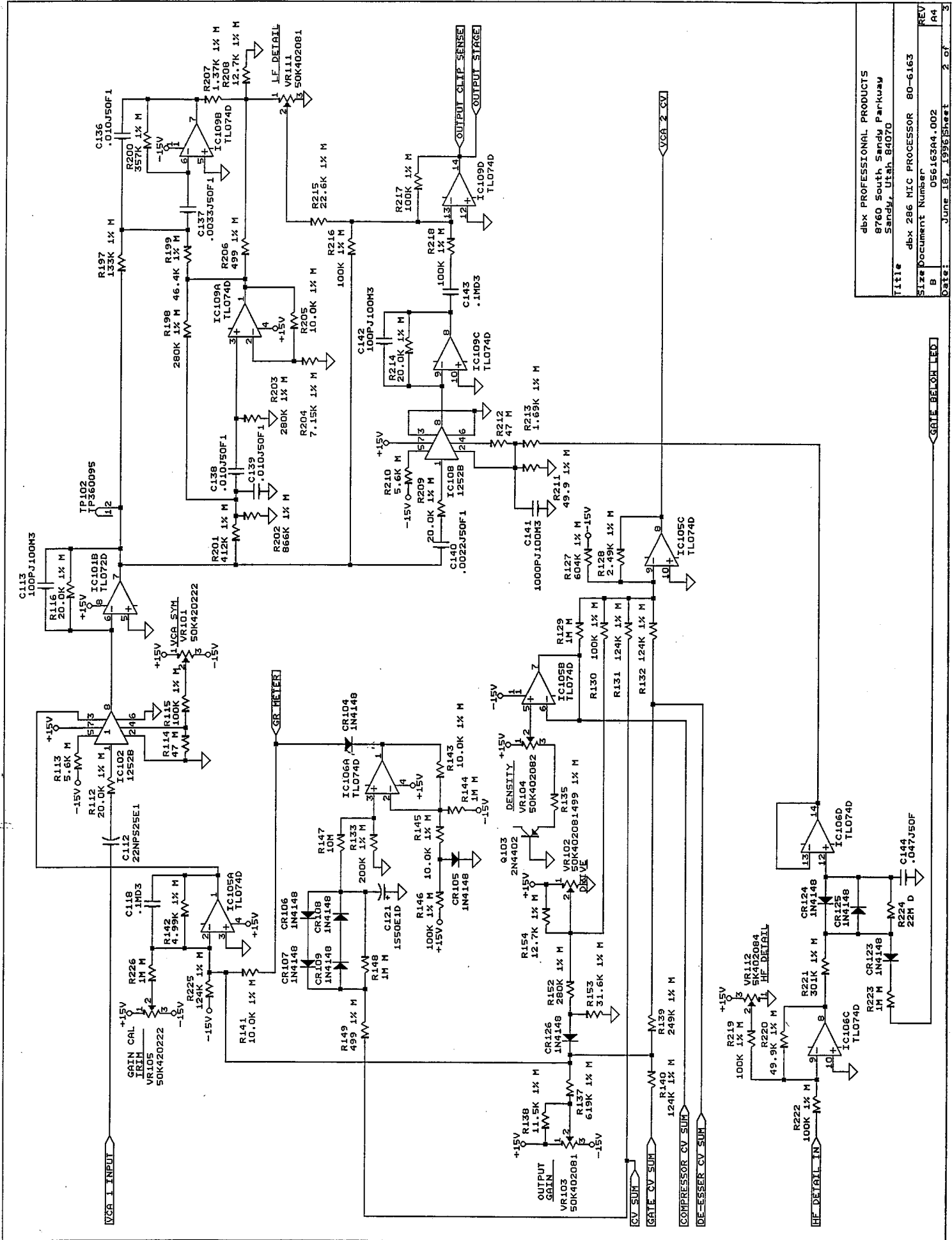
dbx PROFESSIONAL PRODUCTS  
8760 South Sandy Parkway  
Sandy, Utah 84070

Title dbx 286 MIC PROCESSOR 8D-6163

Size Document Number 056163A4.001

Date: JUNE 18, 1995 Sheet 1 of 3

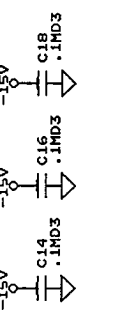
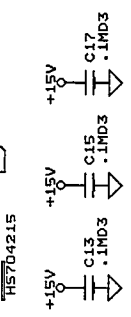
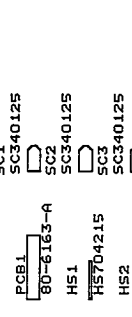
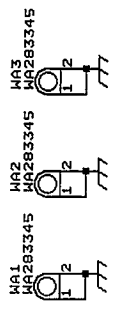
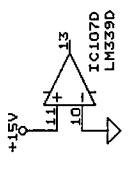
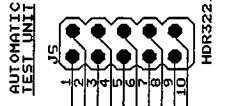
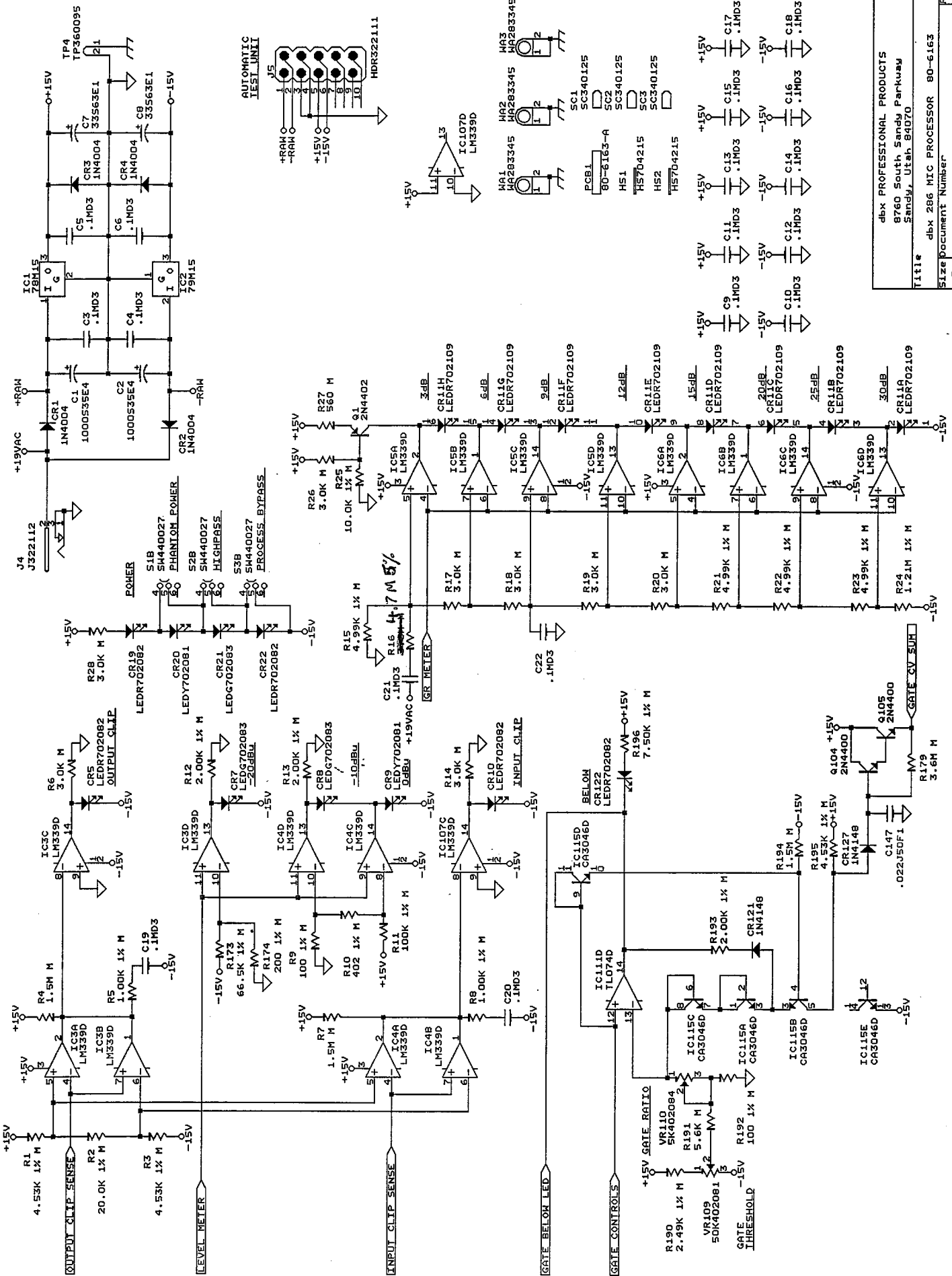
REV A4



dbx PROFESSIONAL PRODUCTS  
 8760 South Sandy Parkway  
 Sandy, Utah 84070

Title dbx 286 MIC PROCESSOR 80-6163  
 Size Document Number 056163A4.002  
 B REV  
 Date: June 18, 1995 Sheet 2 of 3

GATE BELOW LED



dbx PROFESSIONAL PRODUCTS  
 8760 South Sandy Parkway  
 Sandy, Utah 84070

Title dbx 286 MIC PROCESSOR 80-6163  
 Size Document Number 056163A4.003 REV  
 B Date: June 18, 1996 Sheet 3 of 3